

9 Series Key Switches



In or Out...we make it Easy!®



960
3" x 4-3/4"
(76.2 x 120.7mm)



960N
1-5/8" x 4-3/4"
(41.3 x 120.7mm)

Features & Benefits

- Extruded aluminum 1/4" plate with beveled edges
- Maintained, momentary or time-delay switches available
- Two #6-32 stainless steel tamper-proof spanner-head screws and wrench included
- Compatible with standard mortise cylinders with straight or clover cams in 1-1/8" cylinder length (offered by RCI as an option)
- Fits standard single-gang surface or recessed electrical boxes (optional)
- 960N (narrow) compatible with 1-3/4" or larger narrow door or frame profiles
- Brushed Anodized Aluminum or Brushed Anodized Dark Bronze finish
- Convenient dual-switch cylinder bracket
- LED optional

Tamper-Resistant Key Switches

These sleek, beveled-edge 960 key switches are designed to discourage tampering. Tamperproof screws and a special driver are included with the key switch to prevent unauthorized removal of the faceplate.

The convenient lock-down cylinder bracket can hold two switches and is secured by the cylinder ring.

The cover plate and switch mounting design can be used with most standard and recessed electrical utility boxes. (See Optional Mounting Accessories.)

Highlights

- Tamperproof Screws
- Easy Lock-Down Dual-Switch Bracket
- Heavy-Duty 1/4" Extruded Aluminum Plate
- Tamper Resistant Beveled-Edge Faceplate Design
- 2-Year Limited Warranty

Applications

For commercial, industrial and institutional applications in high-use areas

- Vestibules
- Storefront
- Commercial
- Industrial
- Health Care

Optional Mounting Accessories

- 9SURBOX**..... Surface mount box
(4-3/4"H x 3"W x 2-1/2"D)
Standard finish: Laurentian Cream
- 9RECBOX**..... Recessed box
(4-1/8"H x 2-1/2"W x 1-3/4"D)
Standard finish: Steel (Lidden)

Options

- CYLK**.....Mortise cylinder, straight cam
(specify keyed alike (KA) or differently (KD))
- LED**.....Red/Green (bicolor) mounted in plate
- DMA**.....DPDT switch (maintained action)
- DMO**.....DPDT switch (momentary action)
- MO**.....SPDT Switch (momentary action)
- MA**.....SPDT Switch (maintained action)

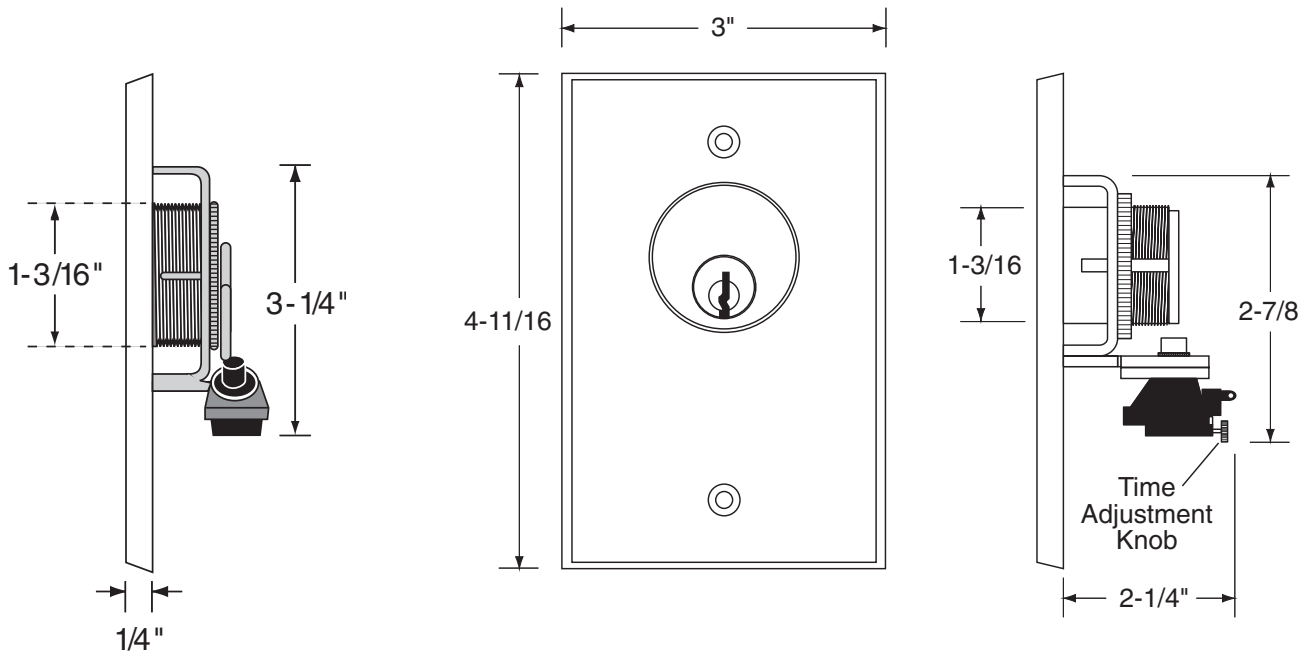


In or Out...we make it Easy!®

Description	Switch Mode	Switch Configuration	Switch Rating	Standard Finish
906-MO Key Switch	Momentary Action	SPDT N/O & N/C	3A @ 125 VAC – UL 1A @ 250 VAC – UL	28 or 40 28 or 40
960-TD Key Switch	Adj. Delay 2-60 sec	SPDT N/O & N/C	10A @ 125-250 VAC – UL	28 or 40
960-MA Key Switch	Maintained Action	SPDT N/O & N/C	3A @ 125 VAC – UL 1A @ 250 VAC – UL	28 or 40 28 or 40

NOTE: Specifications are subject to change without notice.

Profiles



RCI also offers a complete line of Electromagnetic Locks, Electric Locks, Electric Strikes, Power Supplies, Keypads & Readers, Exit Devices, Systems & Door Hardware